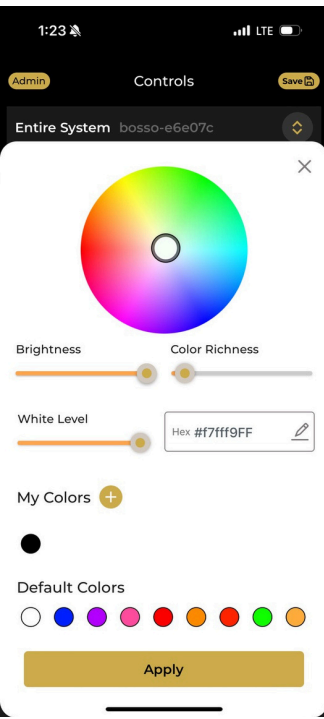




- All purpose lighting!
- App controlled
- Discrete

- Easy install
- 25-year life span
- Accent and holiday



Bosso's Proposal

Supplement your business with our product!

Benefits for you:

Easy sale to existing customers (extra \$3K profit per home)



Stay busy all year round



Existing blueprint for implementation



Endless Scalability.



We provide:

- Product
- Training
- Marketing/sales strategies
- Active support

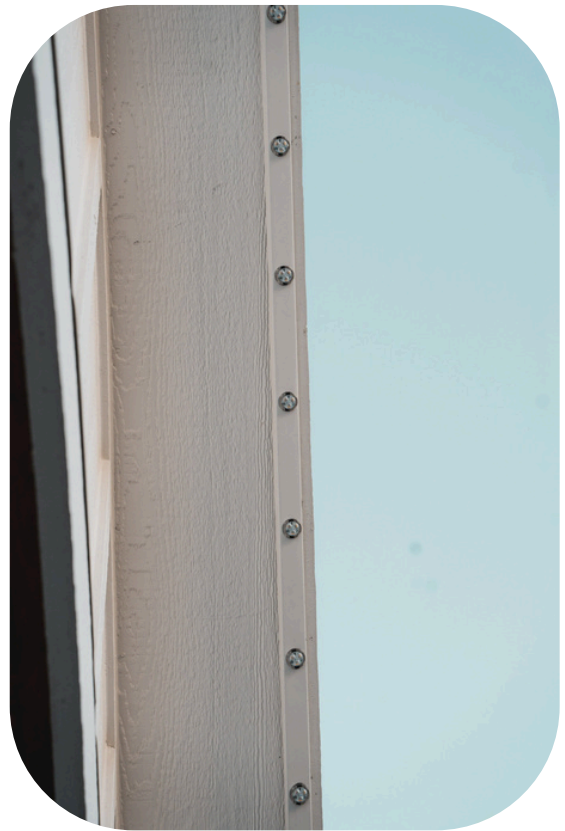
Details provided below!

Easy Installation

You do not have to be an electrician to install this product!

Average installation:

- Takes one day to install
- Only one employee required
- Minimal equipment required
- We will train you!



Financial Breakdown

- The below breakdown is for an average house
- Pricing is measured in linear feet of lights, most jobs are ~190ft
- We charge between \$25-30/ft, this breakdown is for \$25/ft

Average Contract Price	\$4,750
Product expenses	-\$1200
Labor expenses	-\$475
Sales commission	-\$570
Gross Profit	\$2505

Average profit of 40-50% (excluding overhead)

Bosso App

BOSSO APP MAIN FEATURES

Cloud Control/Control From Anywhere

Individual LED Control

Effect Previews

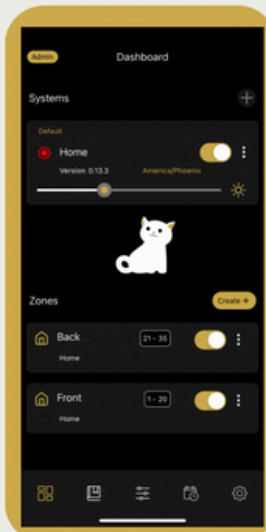
Scheduling for Lights

15+ Animations

200+ Presets

APP Demo Mode to Show Customers

Bosso App



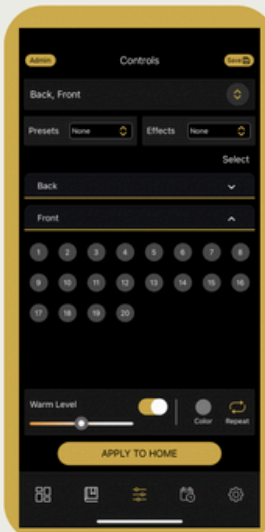
Admin Feature

Service a customers app remotely without asking them for their login



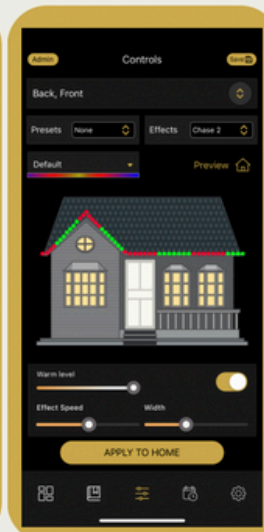
Preview

See static AND moving preset previews from app



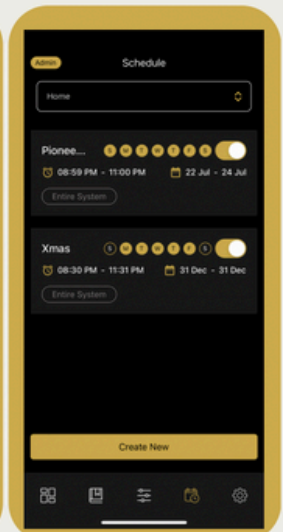
Individual LED control

Make custom presets with our innovative "Repeat" feature



Smooth customization

Adjust presets and preview what it looks like while on the home



Easy schedule

Adjust schedule to repeat and activate on certain days

Bosso Control Unit

350 W 29 A 12V Power Supply

ESP 32 Controller

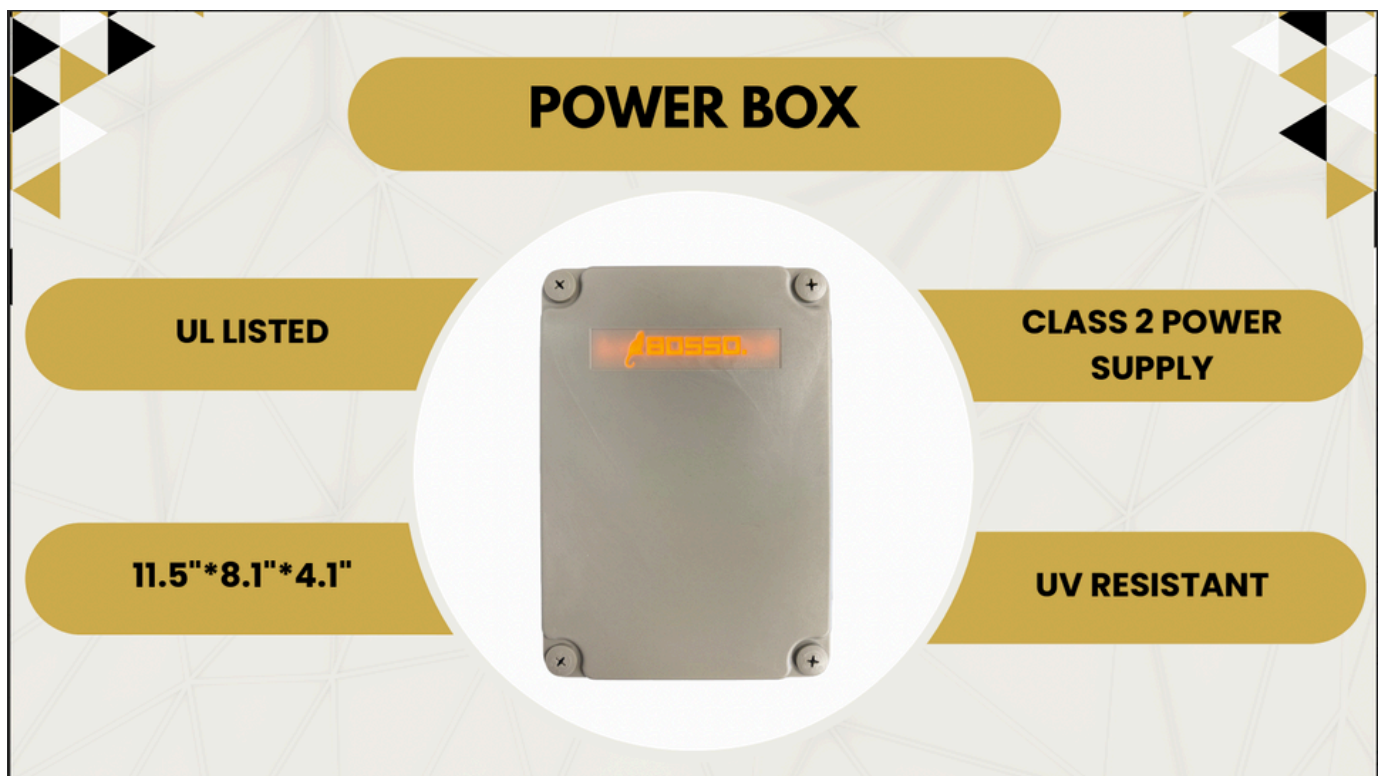
Can power 200 ft of lights

1 controller every 1,000 lights

2 Fuses

UL, ROHS, CE Rated

Class 2 Rated



3 LED Light Module Specs

1. We Sell Lights In 1 PC/Strand

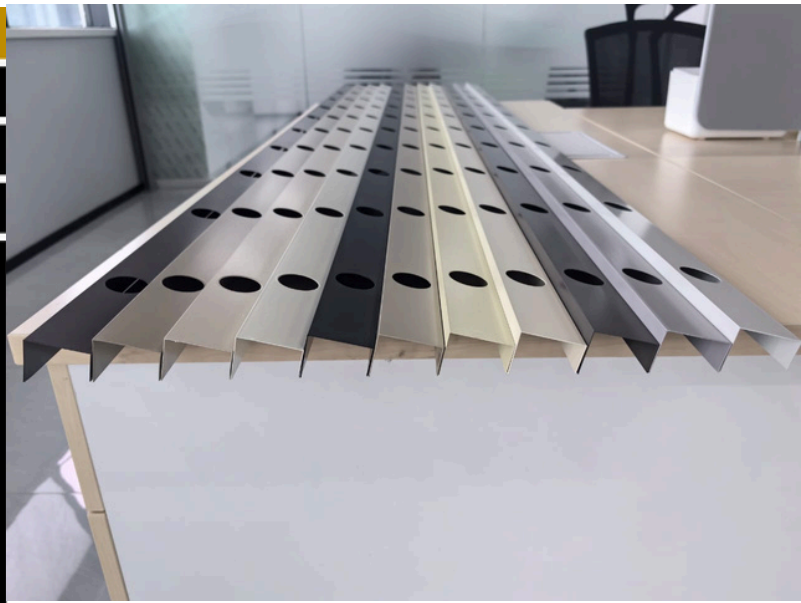
TECHNICAL FEATURES				
LED TYPE	SMD 5050		Conformity	CE, ROHS, UL
LED/MODULE	3		Module Dimension	30 MM
LED DRIVING METHOD	Constand Voltage Driver integrated		Warrenty	Lifetime
MODULE QTY/METER	5 PC/string/1PC/s tring		Life Span: White	50,000 Hours
Lumens/Light	72		# Consecutive Modules connected	Unlimited
TECHNICAL OPERATING DATA				
Operating Temperature	-25C - +60C		Storage Tempurature	-30C - +70 C
Operating Voltage	DC 12 V		IP Degree	IP68
Power Consumption / Module	0.96W		Rated Current/Module	80MA
Chain Can Be Subdivided	Every 5 Module, or 1 Module		Radinace Angle	120 Degrees



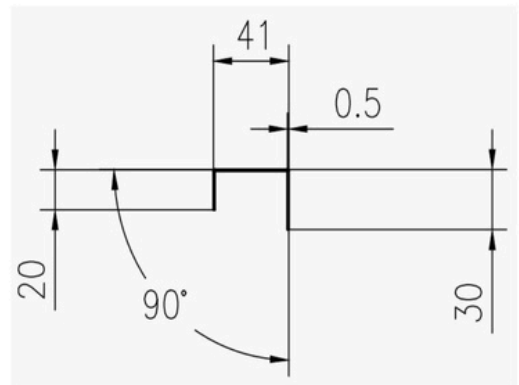
U Track

U Track

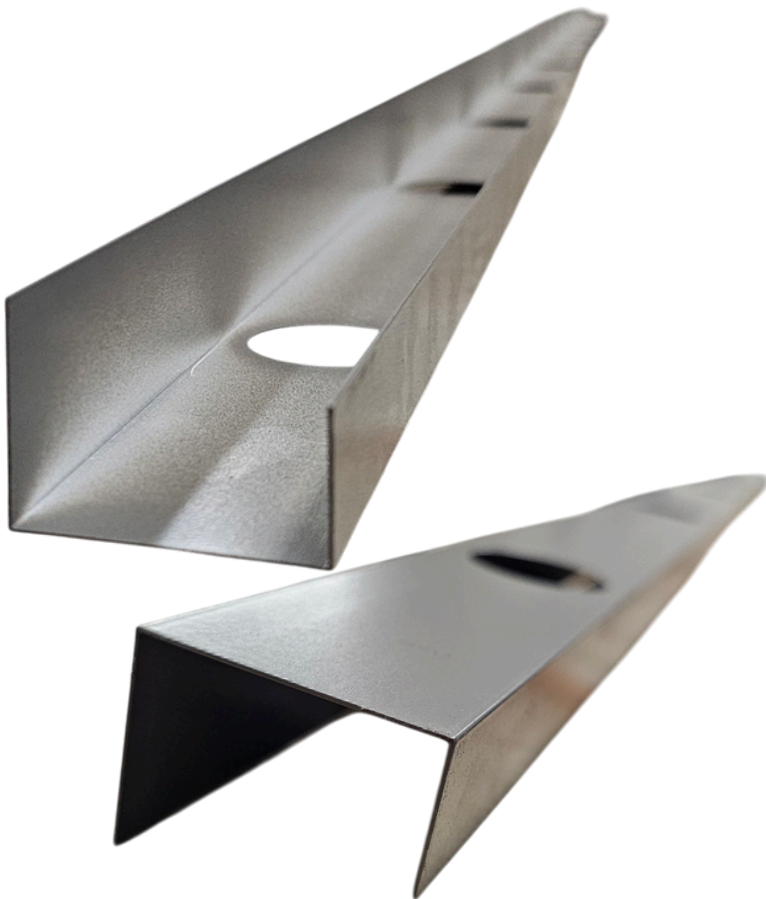
Thickness	0.5MM
Material	ALLUMINUM
Length	6.6666 ft
Colors	White Wicker P-Clay Terra Bronze Desert Sand Classic Cream Char Grey Almond Black Dark Bronze Musket Brown Vic Grey Cameo Linen Sandtone



Size
(Width*Height*Thickness*Length)

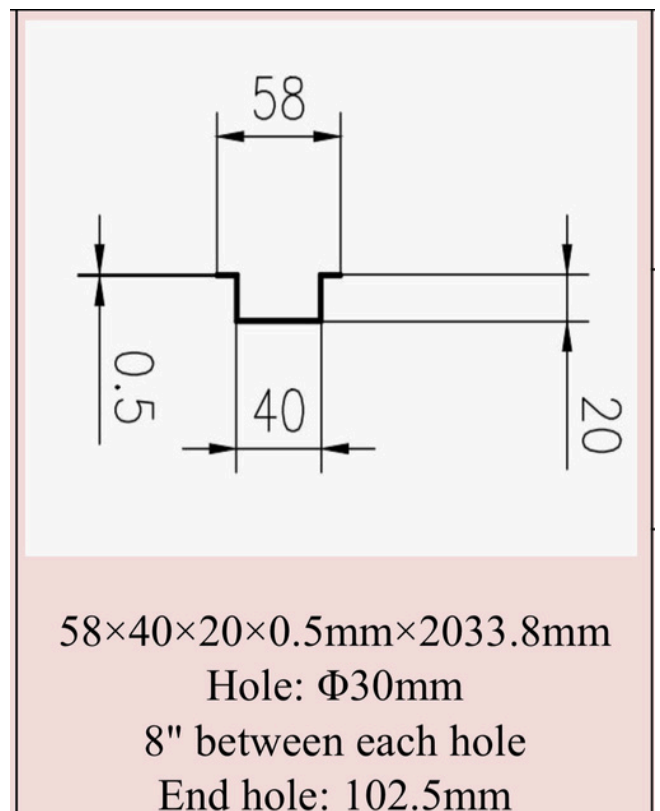
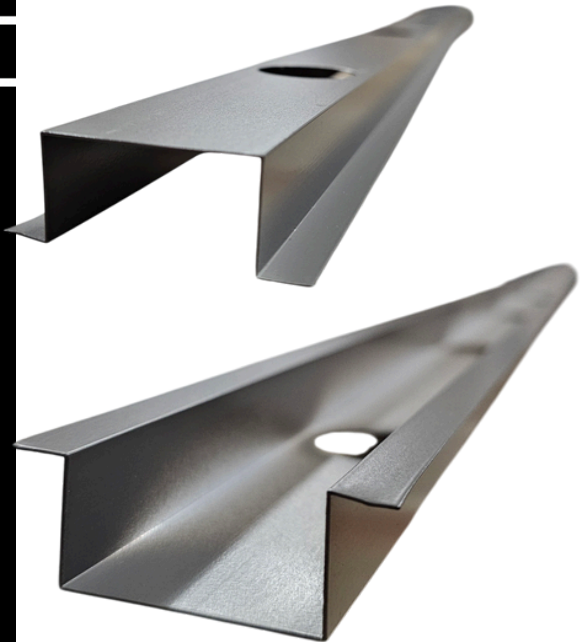


41×20x30×0.5mm×2033.8mm
 Hole: Φ30mm
 8" between each hole
 End hole: 102.5mm



Flap Track

Flap Track	
Thickness	0.5MM
Material	ALLUMINUM
Length	6.6666 ft
Colors	White Wicker P-Clay Terra Bronze Desert Sand Classic Cream Char Grey Almond Black Dark Bronze Musket Brown Vic Grey Cameo Linen Sandtone
Hole Size	30 MM



Extensions/T Connection/Audio Cable

The T-Connection is utilized for power injection purposes. The longer segment of the T-connection integrates with the audio cable originating from the control unit.

The Extension Wire is meant to send Data to another portion of lights.



Audio Cable Is Used To Reinject Power Throughout The Light Strand To Keep Voltage Constant.

